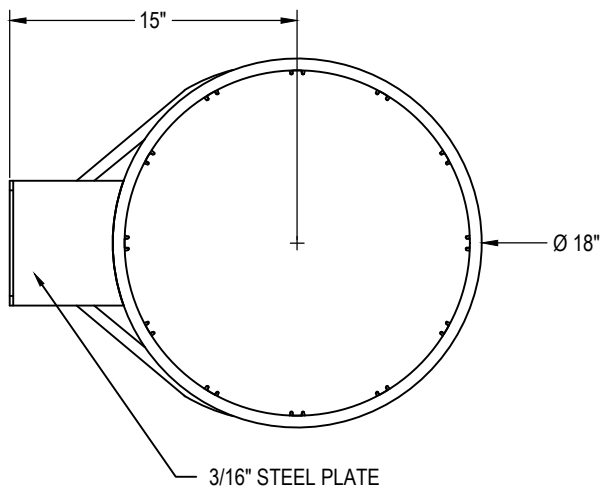
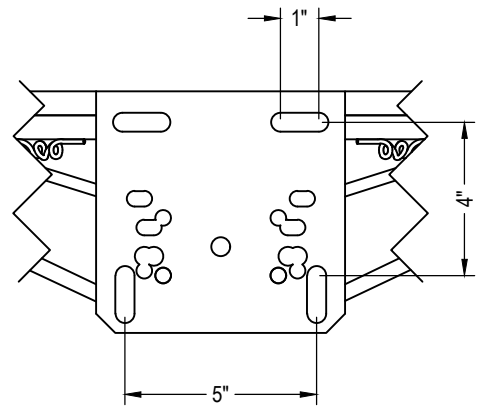


SIDE

FRONT



TOP



Rim shall consist of two official size 5/8" diameter AISI 1018 cold drawn carbon steel rings welded together at no less than six places. Twelve individual netlocks shall be attached to the lower ring to accept nylon net (included). The back plate shall be a minimum of 3/16" thick punched to mount on all front mount backboards. One 1/2" diameter and one 3/8" diameter rim support shall provide added strength. Mounting hardware shall be included. Rim must have a 1-year limited warranty, an orange powder coated finish and be made in the USA. Installation to be completed in accordance with manufacturer's instructions. Do not scale drawings. Weight approximately 18#.



PRODUCT SPECIFICATION

BA37N FRONT MOUNT DOUBLE-RIM GOAL FOR NYLON NETS

REVISED 8/1/17