

INSTALLATION INSTRUCTIONS

MODEL IP850 FOLD-UP GYM DIVIDER

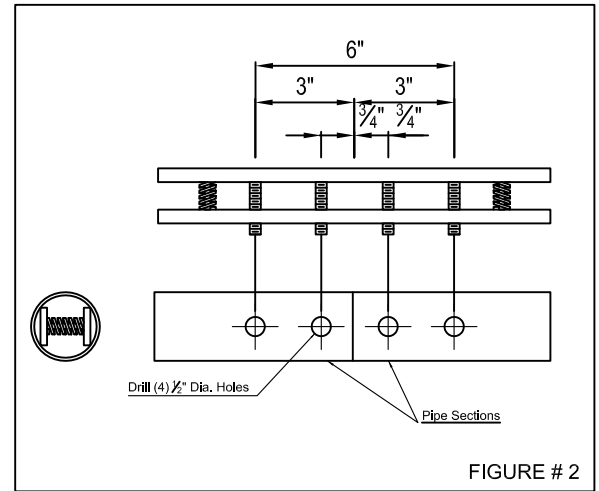
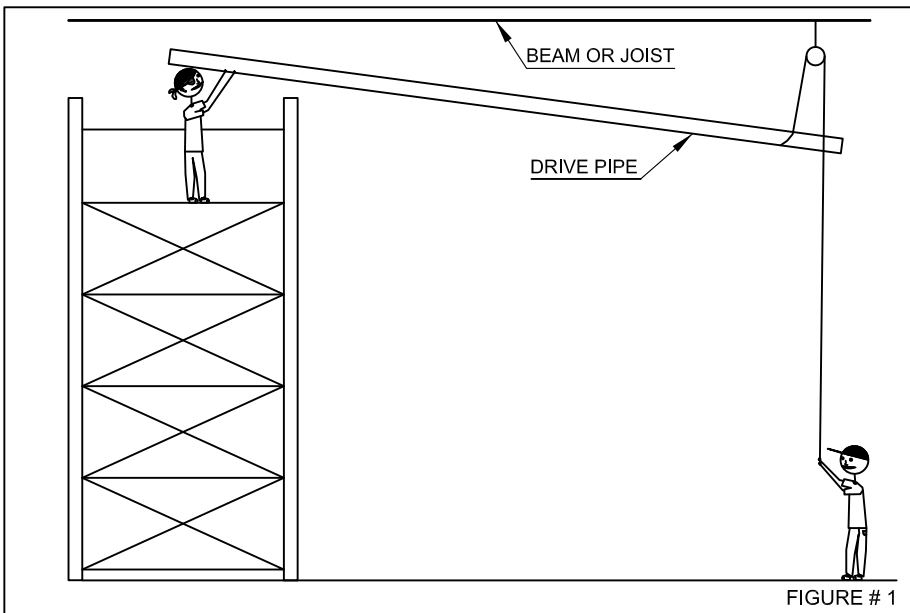
These instructions are intended to be a guide only. They do not imply any responsibility of IPI by Bison for improper installation or faulty workmanship at the jobsite.

1. Identify all parts with packing slip and job drawings.
2. Install motor unit at location shown on drawings.
3. Start at motor unit, install cradles that support the first section of the drive pipe. Raise this pipe section into place (see Figure 1). Slide the cable guides, that form spool flange assembly, on this section, and move them into location shown on shop drawings. Attach drive pipe to flex-coupling of motor reducer and level pipe section.
4. Repeat the procedure for each additional section of drive pipe. Splicers are used to join each pipe section as shown in Figure 2.
5. When the above has been completed and drive pipe is level, test run drive pipe orientation.
6. Attach $\frac{1}{8}$ " dia. cable to each spool flange assembly as shown in Figure 3, and let the other end hang to the floor.
7. Spread the curtain out on the floor and insert the top and bottom 1 - $\frac{5}{8}$ " dia. pipe batten in their respective hems of the curtain. Splicers are used to join each pipe section as shown in Figure 2. The top batten must protrude 4" to 6" beyond each edge of the curtain. The bottom batten run is 4" less than the curtain width to facilitate closure at each end of the pocket hem. Insert 1 $\frac{3}{8}$ " ballast bar into bottom batten pipe prior to closing bottom pocket. See Figure 6.
8. Temporarily secure hoist cable to the top pipe batten at pre-cut slots in the curtain hem in line with grommets. Raise curtain into position for attachment of chain that is secured to each drive pipe cradle support. A knife slit must be made in the pocket hem. See Figure 4-A and 4-B.
9. After all chains are secure, remove cable attached to top batten and run them down through grommets and secure them to the bottom pipe batten. See Figure 5.
10. Close each end of the bottom pocket hem with $\frac{1}{4}$ " - 20x1" bolts, washers and locknuts. See Figure 6.
11. Check cable guide spool flange assemblies for correct alignment with grommets in the curtain and cable run. To insure good operation, adjust cables to obtain the same tension on each when the curtain is in the down position. The same number of pre-wraps should be maintained on each, plus cable ends should all be attached to the flange on the right hand side of the cable run.
12. Set limit switch for Up & Down travel of curtain.

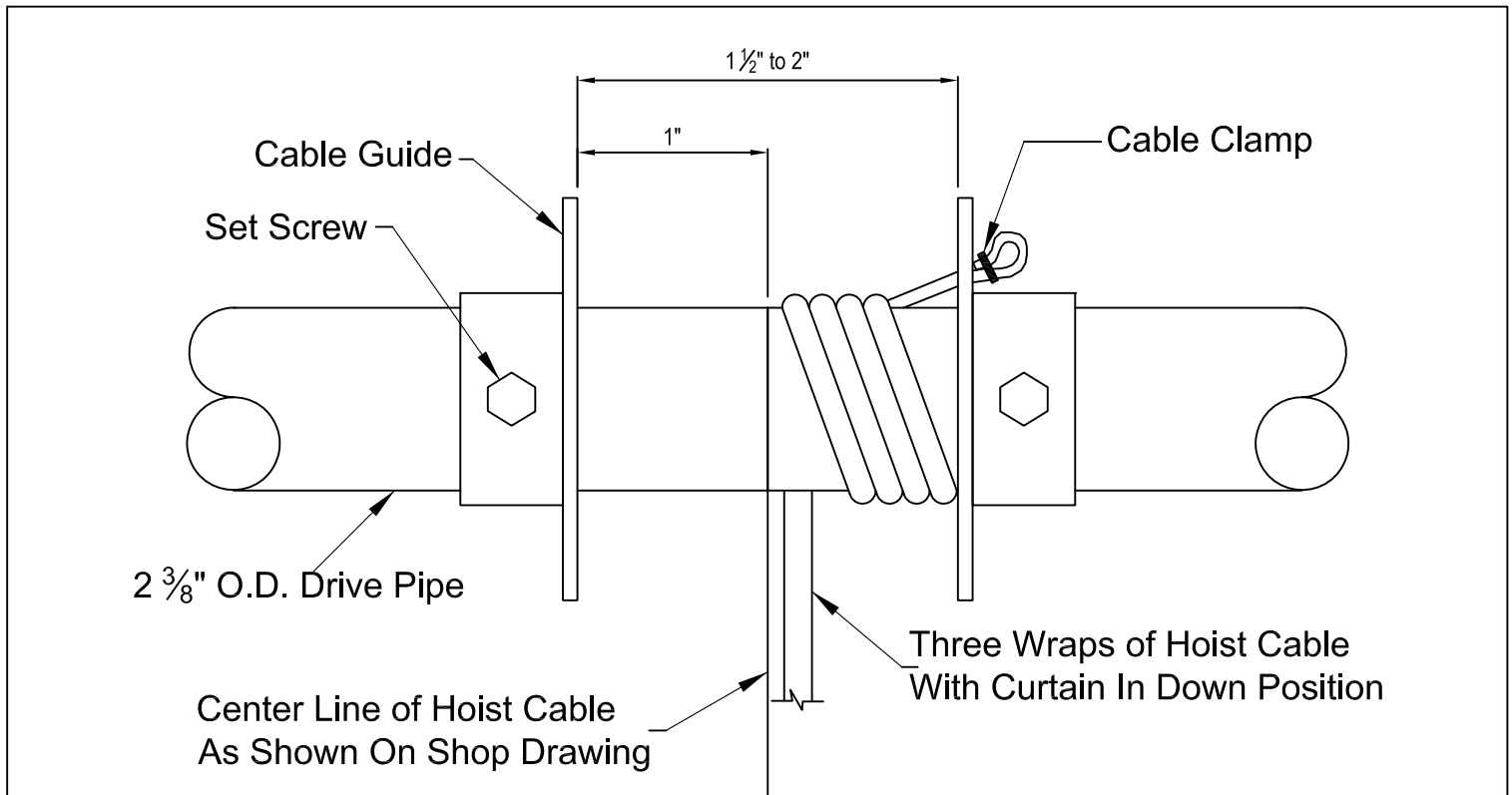
NOTE: Alternative Method of Raising Curtain
Use rope or extra installation cable and raise curtain in 5'-0" increments after threading permanent hoist lines thru grommets.



800-637-7968



SPOOL FLANGE ASSEMBLY



1. Cable guides are to be spaced as shown on shop drawings in relation to hoist line location.
2. The same number of pre-wrap turns must be maintained for all hoist lines.
3. Re-Alignment of cable guide flanges may be required after the curtain is raised and the top tube batten is secured to the drive pipe support assembly.
4. To increase the amount of line take-up on a given spool assembly you must decrease the 2" dimension between guides. To decrease the amount of take-up you must increase the distance between the guide flanges.

FIGURE # 3

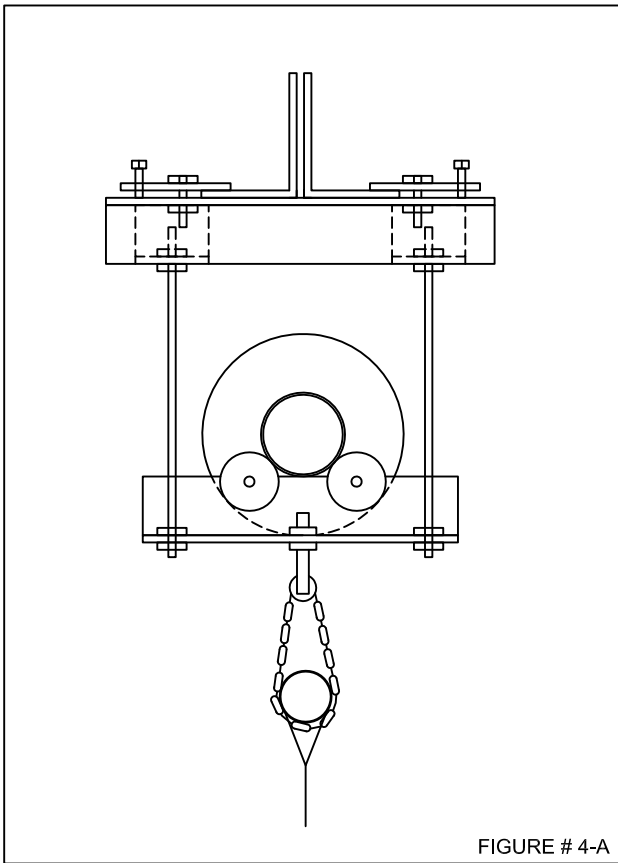


FIGURE # 4-A

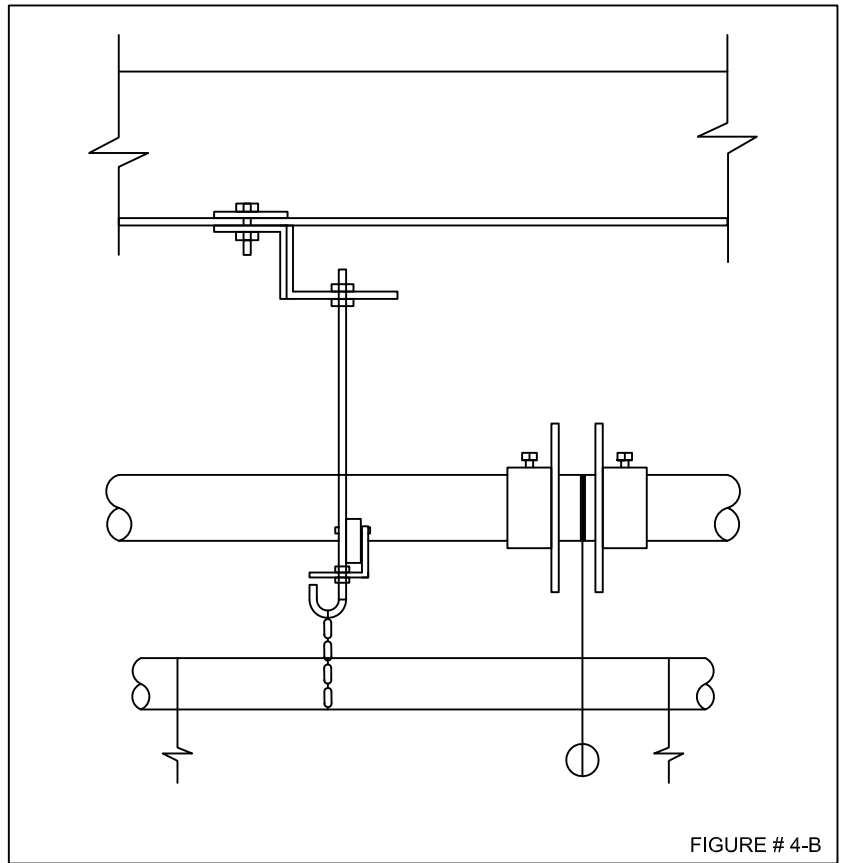


FIGURE # 4-B

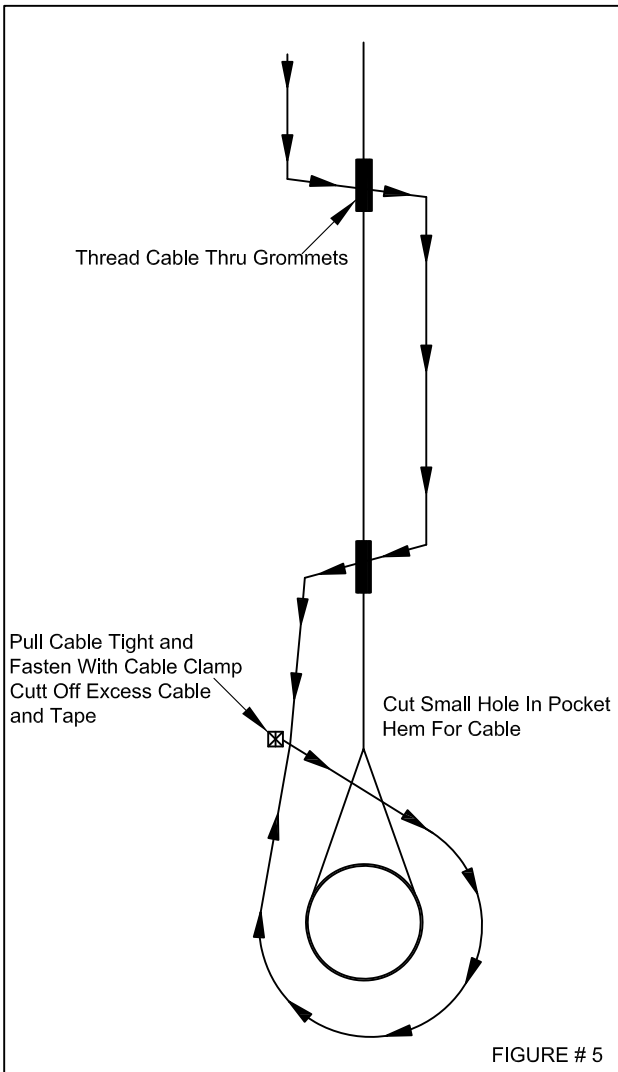


FIGURE # 5

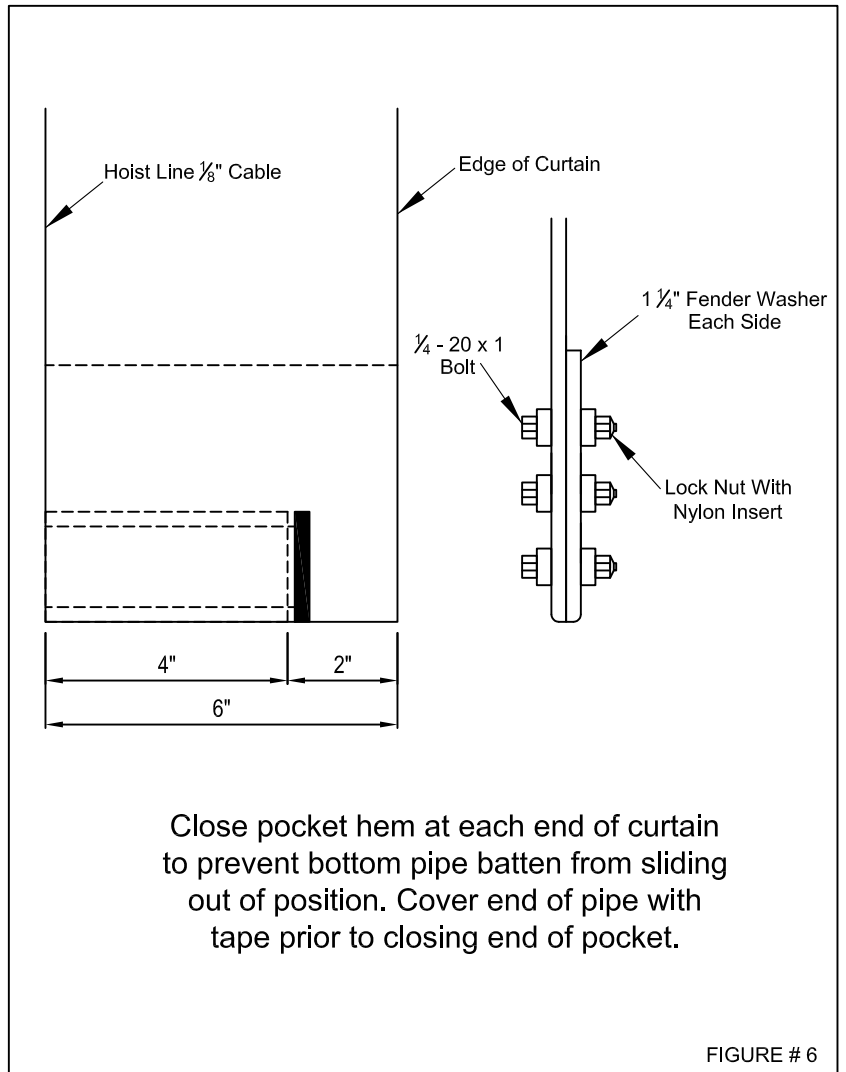
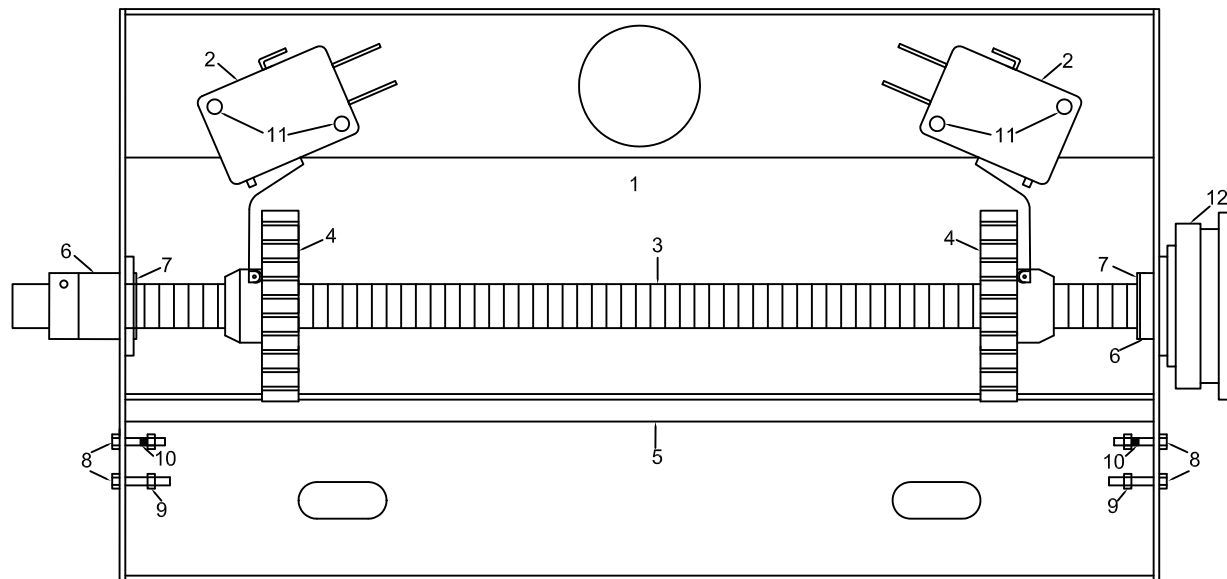


FIGURE # 6

ROTARY LIMIT SWITCH CONTROL

ITEM NO.	PART NO.	DESCRIPTION	NO. REQ'D
1		CONTROL BOX	1
2	V3L-11-1DB	LIMIT SWITCHES	2
3		BRASS DRIVE ROD	1
4	MD-030-202	SPUR GEARS	2
5		GEAR RETAINER BAR	1
6		BRONZE BUSHINGS	2
7	FB-58	$\frac{5}{16}$ " I.D. X $\frac{1}{2}$ " O.D. X $\frac{1}{16}$ " WASHER	2
8		4-40 X $\frac{1}{2}$ " SOCKET HEAD M.S.	4
9		4-40 HEX NUT WITH NYLON INSERT	4
10	T-025-180-140-L & R	TORSION SPRINGS	1 OF EA.
11		4-40 X $\frac{5}{8}$ " SOCKET HEAD M.S.	4
12		SPROCKET - IPDC975 or COUPLER - IPBA975	1



INSTRUCTIONS

Upper and lower limits are set by locating the traveling spur gears on the brass drive rod (item no. 3). The limit switch with the red connecting wire is normally set for the raised position of the curtain. Pink wires are for the lower position.

To set, push the gear retainer bar (item no. 5) back to release the traveling spur gears. Set the gears (item no. 4) towards the center to allow sufficient travel. With the curtain in the raised position, set the upper spur gear (red wire leads) to contact and close the limit switch. Release the retainer bar to lock the spur gears and lower the curtain. Repeat procedure for setting the lower spur gear (pink wire leads).

After setting both positions make sure the gear retainer bar is fully locking the traveling spur gears. Raise and lower the curtain through a complete cycle to check proper settings.